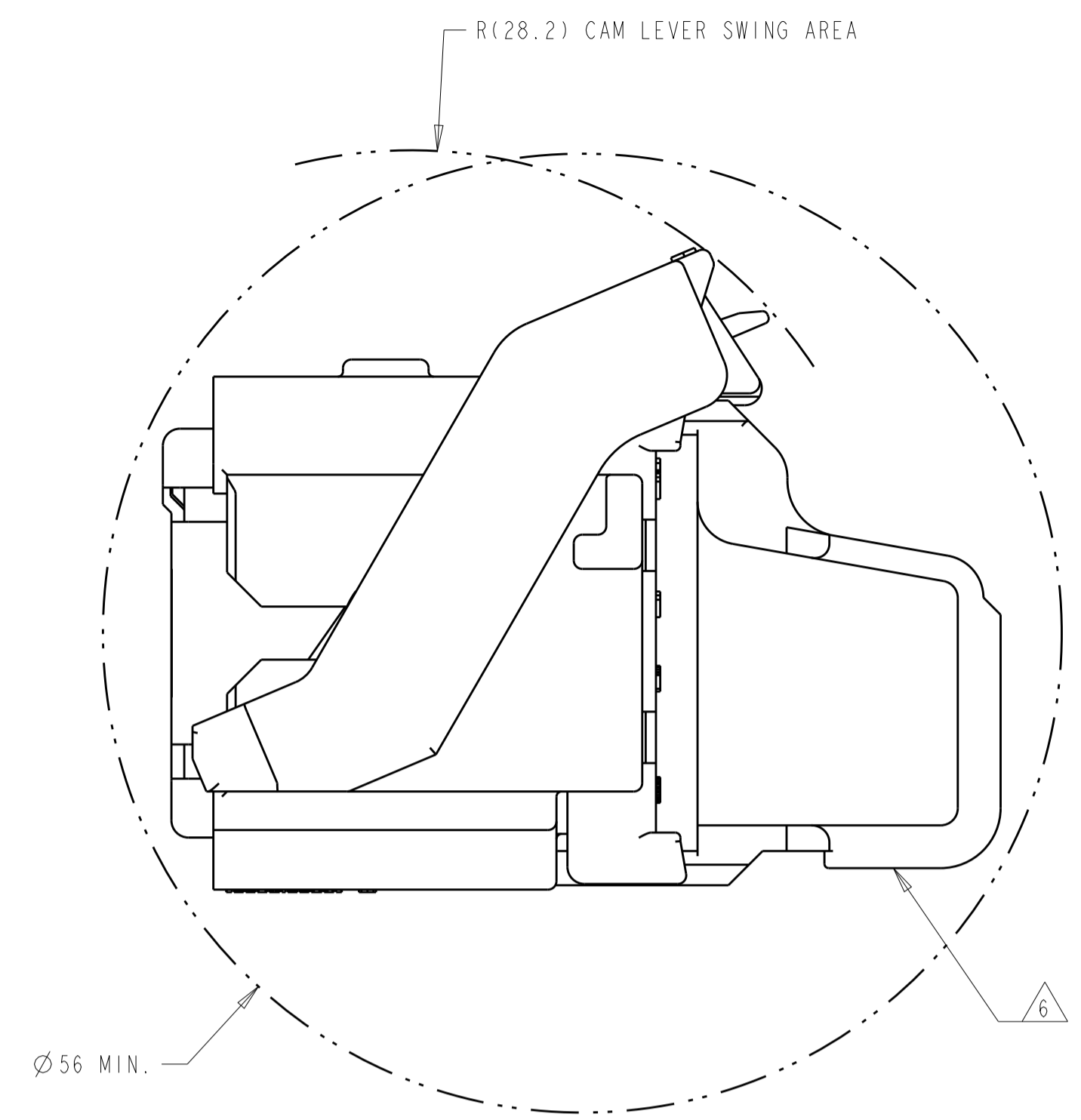
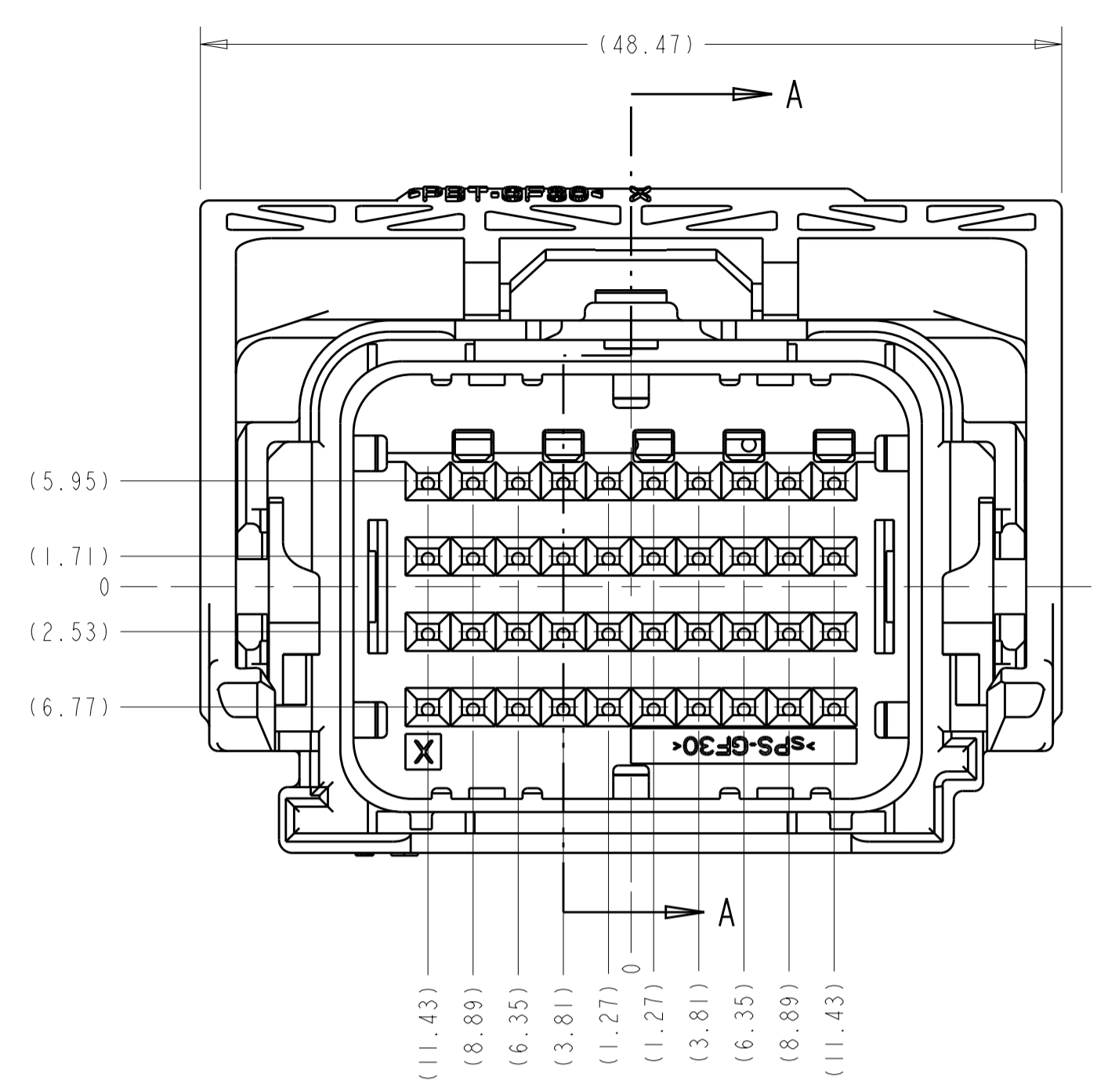
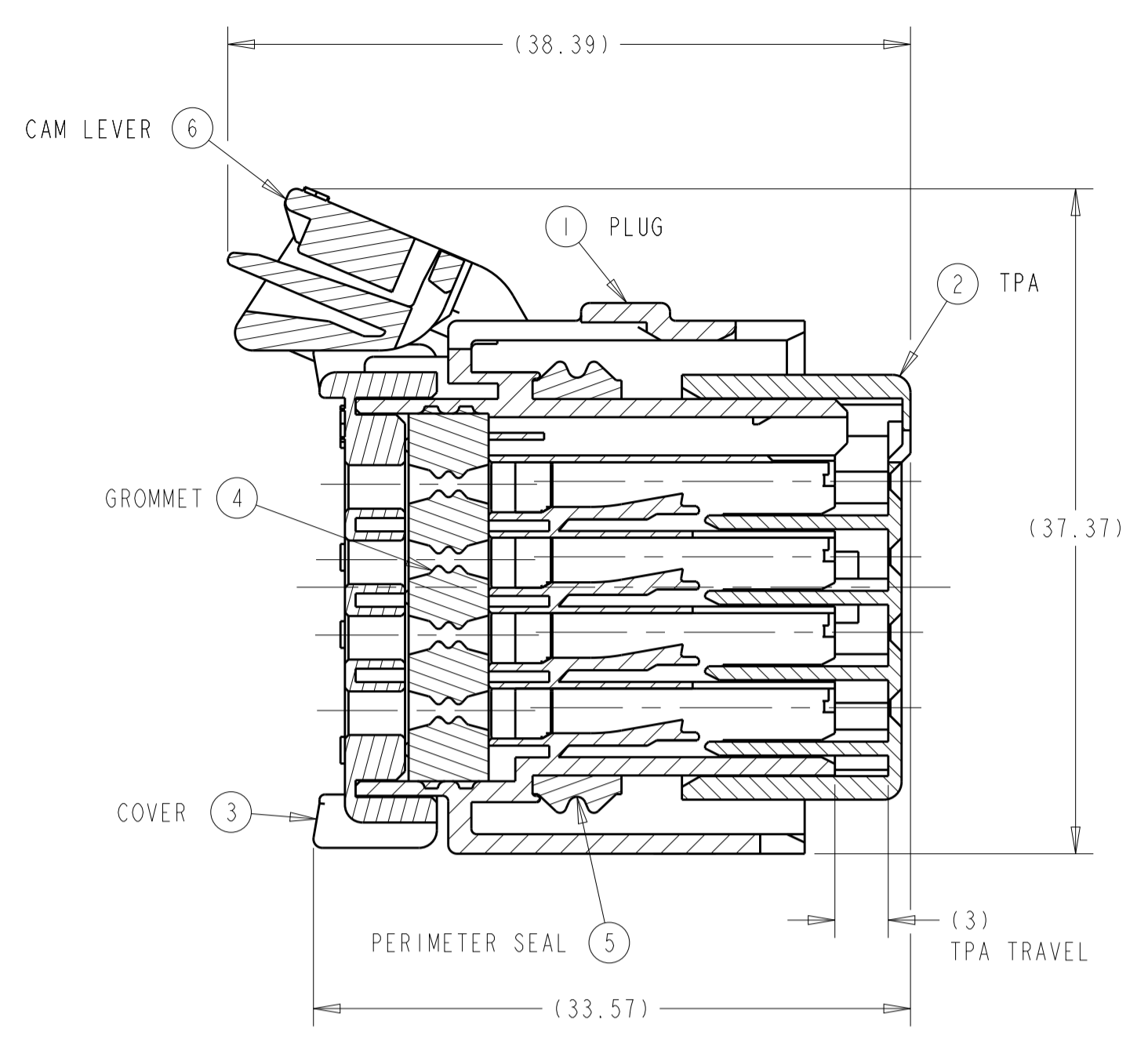
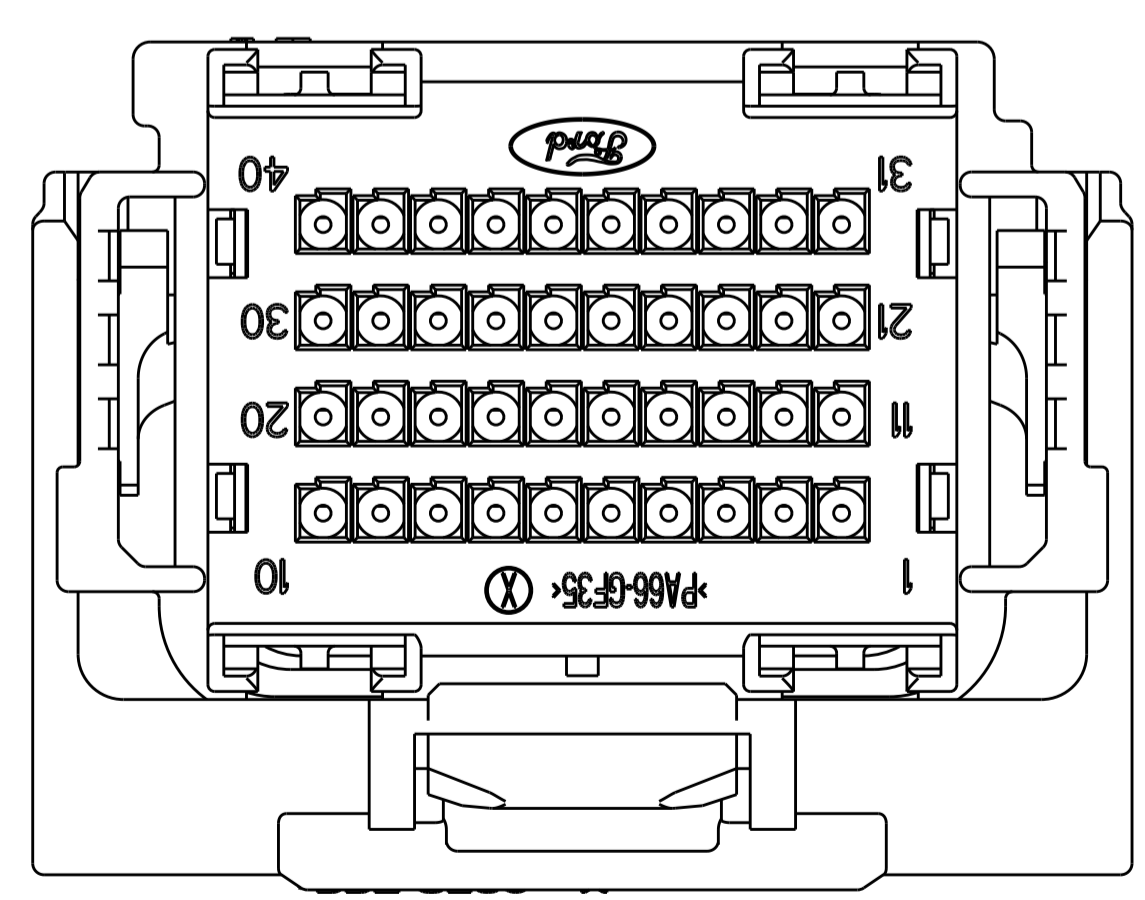
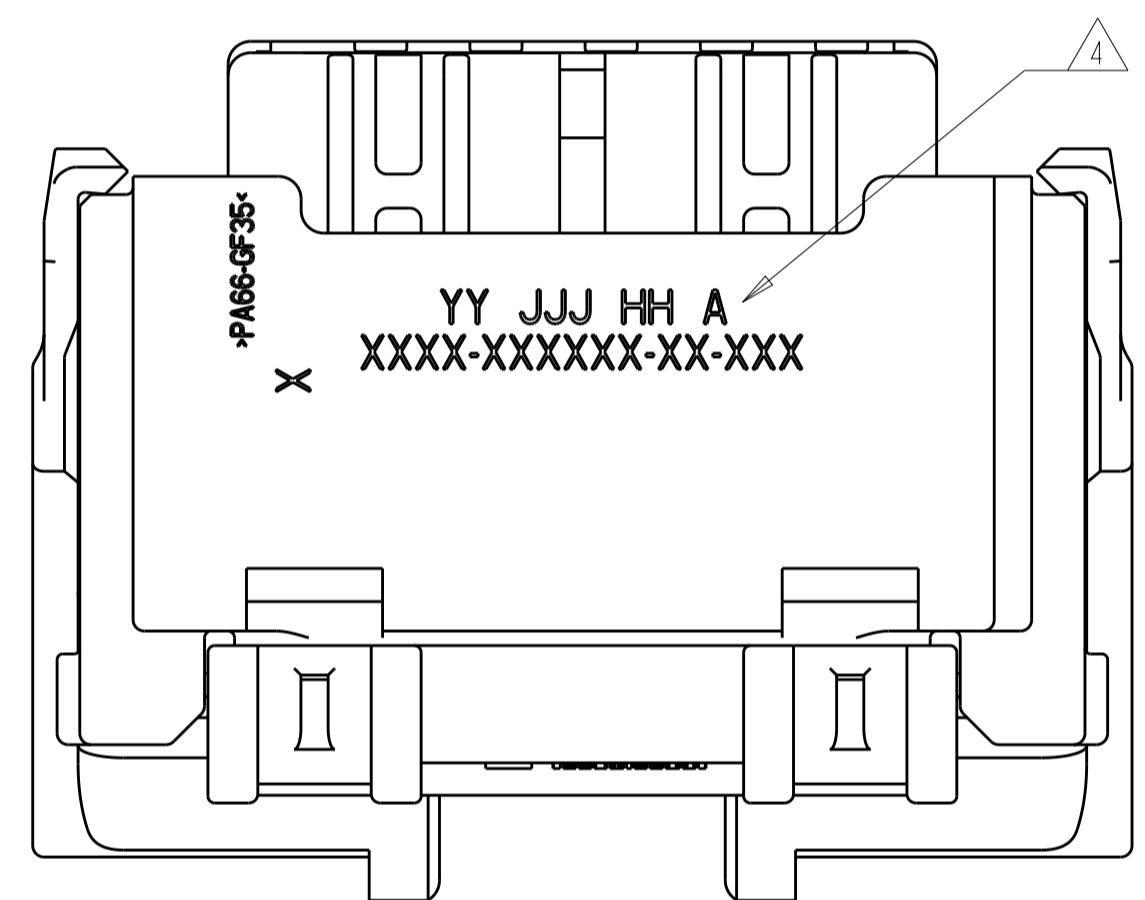
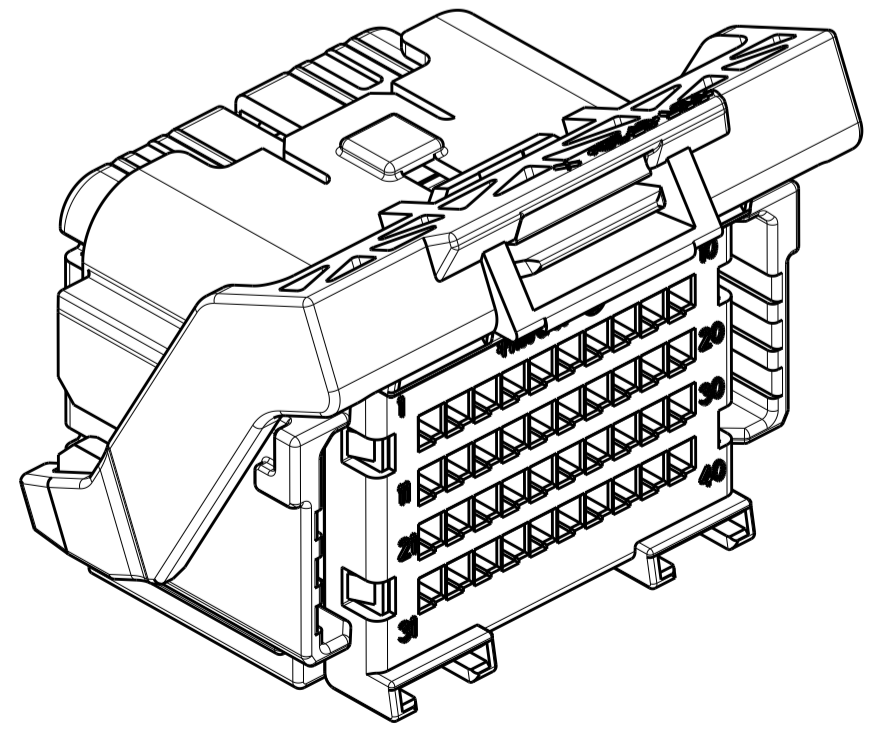
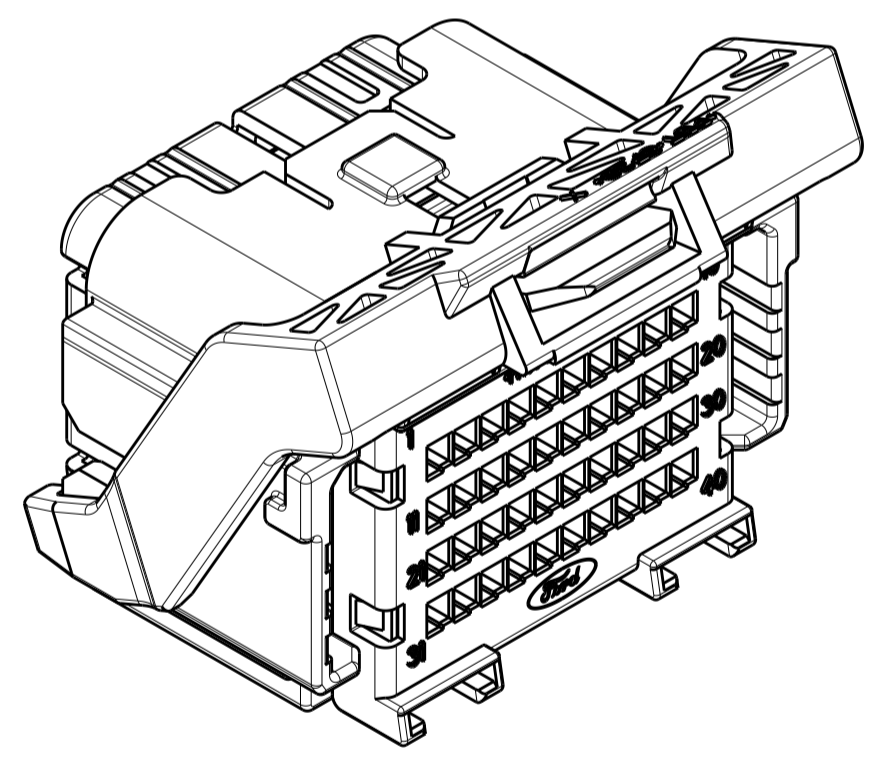
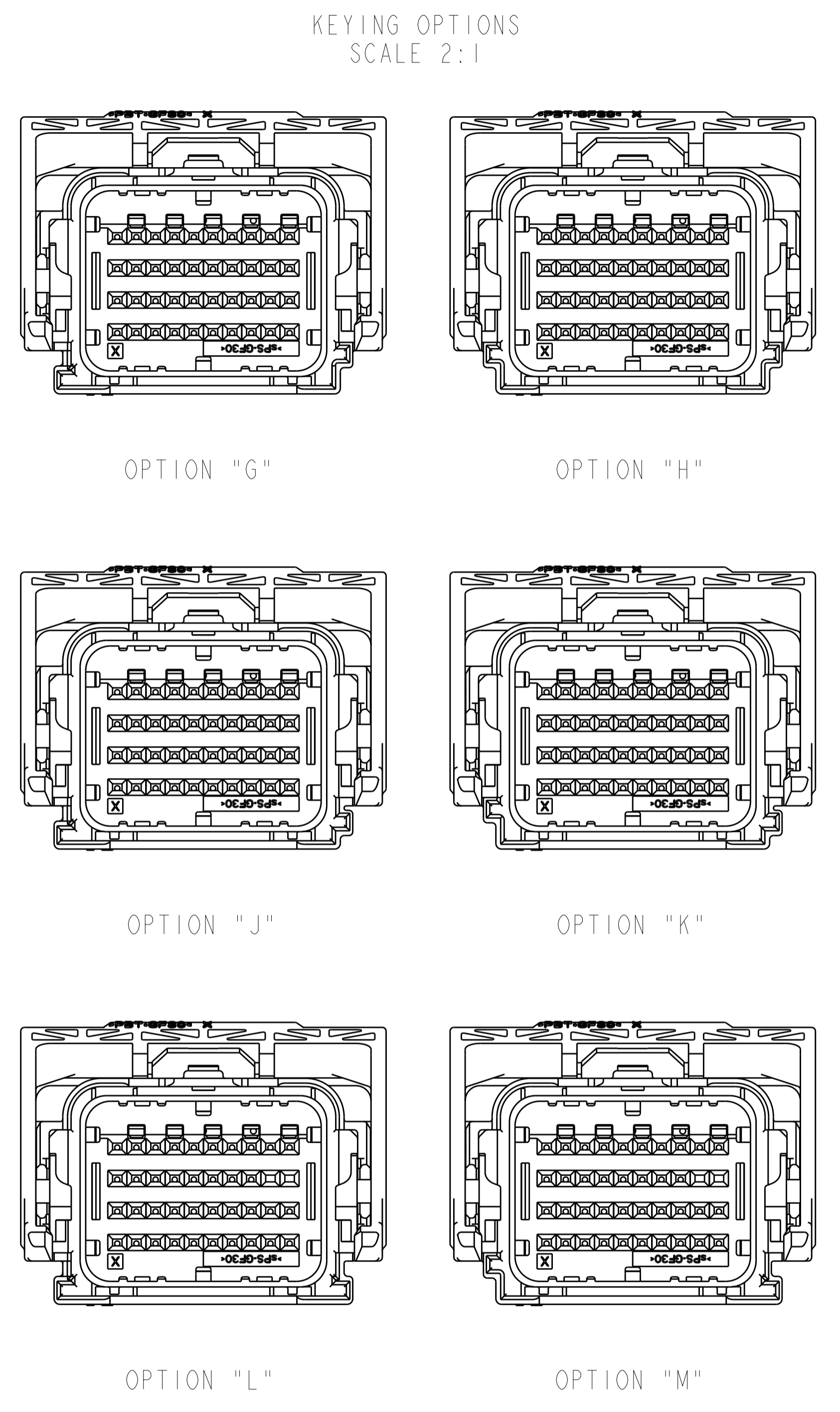


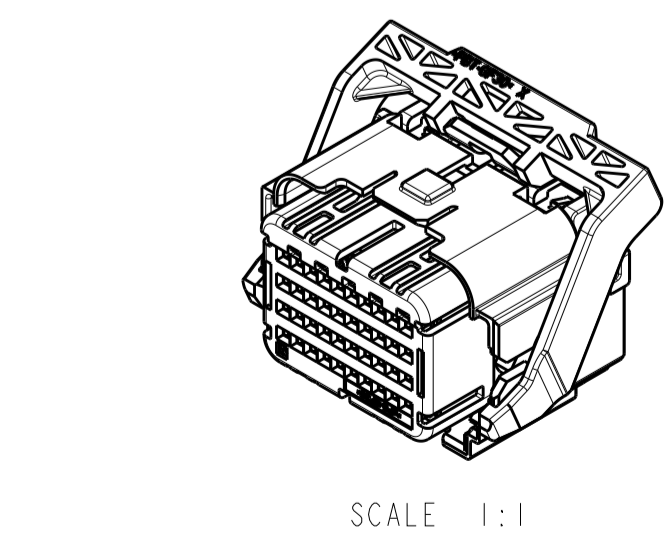
REVISIONS				
P.	LTN	DESCRIPTION	DATE	OWN APVD
	CE	REVISED PER ECO-15-012629	01SEP2015	DLD WTW



MINIMUM FEED THROUGH CONDITION
WITH 1mm CLEARANCE ALL AROUND
SHOWN WITH OPTION WIRESHIELD
TPA IS IN IT'S LOADED POSITION
CAM LEVER IS IN IT'S PRE-LOADED POSITION



- APPLICABLE TERMINAL PART NUMBERS (SOLD SEPARATELY):
FOR TIN APPLICATIONS: 1393367 AND 1393366.
FOR GOLD APPLICATIONS: 1393365 AND 1393364.
FOR TERMINATION AND REELING OPTIONS
SEE DRAWINGS 1393367, 1393366, 1393365, AND 1393364.
- COMPATIBLE WIRE SIZES FOR MAT SEAL DESIGN 1.19 TO 2.06 O.D.
(22-18 AWG, 0.35-0.75 mm²)
- TPA AND CAM LEVER ARE SHIPPED IN THEIR PRE-LOADED POSITION.
ALL ASSEMBLIES ARE TO BE TRAY PACKAGED.
- CUSTOMER PART NUMBER AND TRACEABILITY CODE (YY = TWO DIGIT YEAR,
JJJ = JULIAN DAY, HH = TWO DIGIT MILITARY HOUR, A = ASSEMBLY PROCESS
USED) ARE PRINTED IN THIS LOCATION.
- PART ASSEMBLY WEIGHT WITHOUT TERMINALS AND WITH STANDARD PIN-OUT
CONFIGURATION IS 24.71 GRAMS.
- OPTIONAL WIRESHIELD P/N 8-1419157-8 (SOLD SEPARATELY). PLEASE CONTACT
YOUR TE SALES REPRESENTATIVE FOR AVAILABILITY AND PRICING.



KEYING OPTION "G" SHOWN
SEE SHEET 2 FOR BILL OF
MATERIAL AND PIN-OUT CHARTS

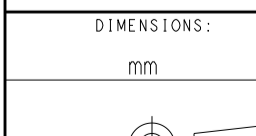
THIS DRAWING IS A CONTROLLED DOCUMENT.		OWN: M. FORLSKA 19APR2002	TE Connectivity NAME: 40 WAY ARM, PLUG ASSEMBLY WITHOUT SHORTING BARS, CUSTOMER SPEC.
DIMENSIONS: mm		CHK: M. FORLSKA 19APR2002	
TOLERANCES UNLESS OTHERWISE SPECIFIED:		APVD: A. VALASEK 19APR2002	PRODUCT SPEC
0 PLC ±		APPLICATION SPEC	SIZE: CAGE CODE DRAWING NO. RESTRICTED TO
1 PLC ±0.3		WEIGHT: SEE NOTE 5	A1 00779 C=8-1419157-7
2 PLC ±0.10		CUSTOMER DRAWING	SCALE: 3:1 SHEET 1 OF 5 REV: CE
3 PLC ±			
4 PLC ±			
ANGLES ±			
FINISH: *			

REVISIONS				
P.	LTN.	DESCRIPTION	DATE	OWN. APVD.
-	-	SEE SHEET 1	-	-

ASSEMBLY PART NUMBERS										ITEM	DESCRIPTION	MATERIAL	FINISH/COLOR	
											6	CAM LEVER	PBT 30% GF	GRAY
											6	CAM LEVER WITH MODIFIED TAB	PA66 35% GF	GRAY
											6	CAM LEVER WITH MODIFIED TAB	PBT 30% GF	GRAY
											5	PERIMETER SEAL	SILICONE	GREEN
											4	GROMMET	SILICONE	BROWN
											3	COVER	PA66 35% GF	BLACK
											2	TPA FOR NON-SHORTING BAR APPLICATIONS	sPS 30% GF	NATURAL
											2	TPA FOR NON-SHORTING BAR APPLICATIONS	sPS 30% GF	RED
											1	PLUG WITH KEYING OPTION "K" AND 5 SHORTING BAR POSITIONS CONFIGURATION	PA66 35% GF	BLACK
											1	PLUG WITH KEYING OPTION "L" AND 5 SHORTING BAR POSITIONS CONFIGURATION	PA66 35% GF	BLACK
											1	PLUG WITH KEYING OPTION "J" AND 5 SHORTING BAR POSITIONS CONFIGURATION	PA66 35% GF	BLACK
											1	PLUG WITH KEYING OPTION "H" AND 5 SHORTING BAR POSITIONS CONFIGURATION	PA66 35% GF	BLACK
											1	PLUG WITH KEYING OPTION "G" AND 5 SHORTING BAR POSITIONS CONFIGURATION	PA66 35% GF	BLACK

ASSEMBLY PART NUMBERS										ITEM	DESCRIPTION	MATERIAL	FINISH/COLOR	
											6	CAM LEVER	PBT 30% GF	GRAY
											6	CAM LEVER WITH MODIFIED TAB	PA66 35% GF	GRAY
											6	CAM LEVER WITH MODIFIED TAB	PBT 30% GF	GRAY
											5	PERIMETER SEAL	SILICONE	GREEN
											4	GROMMET	SILICONE	BROWN
											3	COVER	PA66 35% GF	BLACK
											2	TPA FOR NON-SHORTING BAR APPLICATIONS	sPS 30% GF	NATURAL
											2	TPA FOR NON-SHORTING BAR APPLICATIONS	sPS 30% GF	RED
											1	PLUG WITH KEYING OPTION "K" AND 5 SHORTING BAR POSITIONS CONFIGURATION	PA66 35% GF	BLACK
											1	PLUG WITH KEYING OPTION "L" AND 5 SHORTING BAR POSITIONS CONFIGURATION	PA66 35% GF	BLACK
											1	PLUG WITH KEYING OPTION "J" AND 5 SHORTING BAR POSITIONS CONFIGURATION	PA66 35% GF	BLACK
											1	PLUG WITH KEYING OPTION "H" AND 5 SHORTING BAR POSITIONS CONFIGURATION	PA66 35% GF	BLACK
											1	PLUG WITH KEYING OPTION "G" AND 5 SHORTING BAR POSITIONS CONFIGURATION	PA66 35% GF	BLACK

ASSEMBLY PART NUMBERS										ITEM	DESCRIPTION	MATERIAL	FINISH/COLOR	
											6	CAM LEVER	PBT 30% GF	GRAY
											6	CAM LEVER WITH MODIFIED TAB	PA66 35% GF	GRAY
											6	CAM LEVER WITH MODIFIED TAB	PBT 30% GF	GRAY
											5	PERIMETER SEAL	SILICONE	GREEN
											4	GROMMET	SILICONE	BROWN
											3	COVER	PA66 35% GF	BLACK
											2	TPA FOR NON-SHORTING BAR APPLICATIONS	sPS 30% GF	NATURAL
											2	TPA FOR NON-SHORTING BAR APPLICATIONS	sPS 30% GF	RED
											1	PLUG WITH KEYING OPTION "K" AND 5 SHORTING BAR POSITIONS CONFIGURATION	PA66 35% GF	BLACK
											1	PLUG WITH KEYING OPTION "L" AND 5 SHORTING BAR POSITIONS CONFIGURATION	PA66 35% GF	BLACK
											1	PLUG WITH KEYING OPTION "J" AND 5 SHORTING BAR POSITIONS CONFIGURATION	PA66 35% GF	BLACK
											1	PLUG WITH KEYING OPTION "H" AND 5 SHORTING BAR POSITIONS CONFIGURATION	PA66 35% GF	BLACK
											1	PLUG WITH KEYING OPTION "G" AND 5 SHORTING BAR POSITIONS CONFIGURATION	PA66 35% GF	BLACK

THIS DRAWING IS A CONTROLLED DOCUMENT. DIMENSIONS: mm 		TOLERANCES UNLESS OTHERWISE SPECIFIED: 0 PLC ±0.3 1 PLC ±0.10 2 PLC ±0.10 3 PLC ±0.10 4 PLC ±0.10 ANGLES ±0.5°		DWN. M. FORLSKA 19APR2002 CHK. M. FORLSKA 19APR2002 APVD. A. VALASEK 19APR2002 PRODUCT SPEC APPLICATION SPEC WEIGHT SEE NOTE 5 CUSTOMER DRAWING		NAME 40 WAY ARM, PLUG ASSEMBLY WITHOUT SHORTING BARS, CUSTOMER SPEC. SIZE CAGE CODE DRAWING NO. RESTRICTED TO A1 00779 C=8-1419157-7 SCALE 3:1 SHEET 2 OF 5 REV CE	
---	--	--	--	---	--	--	--

THIS DRAWING IS UNPUBLISHED. RELEASED FOR PUBLICATION 20
 © COPYRIGHT 20 BY ALL RIGHTS RESERVED.

REVISIONS				
P.	LTN.	DESCRIPTION	DATE	APVD.
-		SEE SHEET 1	-	-

ASSEMBLY PART NUMBERS

ITEM	DESCRIPTION	MATERIAL	FINISH/COLOR
6	CAM LEVER	PBT 30% GF	GRAY
6	CAM LEVER WITH MODIFIED TAB	PA66 35% GF	GRAY
6	CAM LEVER WITH MODIFIED TAB	PBT 30% GF	GRAY
5	PERIMETER SEAL	SILICONE	GREEN
4	GROMMET	SILICONE	BROWN
3	COVER	PA66 35% GF	BLACK
2	TPA FOR NON-SHORTING BAR APPLICATIONS	sPS 30% GF	NATURAL
2	TPA FOR NON-SHORTING BAR APPLICATIONS	sPS 30% GF	RED
1	PLUG WITH KEYING OPTION "K" AND 5 SHORTING BAR POSITIONS CONFIGURATION	PA66 35% GF	BLACK
1	PLUG WITH KEYING OPTION "L" AND 5 SHORTING BAR POSITIONS CONFIGURATION	PA66 35% GF	BLACK
1	PLUG WITH KEYING OPTION "J" AND 5 SHORTING BAR POSITIONS CONFIGURATION	PA66 35% GF	BLACK
1	PLUG WITH KEYING OPTION "H" AND 5 SHORTING BAR POSITIONS CONFIGURATION	PA66 35% GF	BLACK
1	PLUG WITH KEYING OPTION "G" AND 5 SHORTING BAR POSITIONS CONFIGURATION	PA66 35% GF	BLACK

QUANTITY

THIS DRAWING IS A CONTROLLED DOCUMENT.

DIMENSIONS: mm	TOLERANCES UNLESS OTHERWISE SPECIFIED: 0 PLC ± 1 PLC ±0.3 2 PLC ±0.10 3 PLC ± 4 PLC ± ANGLES ±°	DWN M. FORLSKA 19APR2002 CHK M. FORLSKA 19APR2002 APVD A. VALASEK 19APR2002	NAME STE TE Connectivity 40 WAY ARM, PLUG ASSEMBLY WITHOUT SHORTING BARS, CUSTOMER SPEC.
MATERIAL SEE CHART ON SHEET 2	FINISH -	WEIGHT -	SIZE CAGE CODE DRAWING NO. RESTRICTED TO A1 00779 C=8-1419157-7
CUSTOMER DRAWING		SCALE 3:1	SHEET 3 OF 5 REV CE

PIN-OUT CHART table with columns for terminal positions (1-40) and rows for various part numbers and keying options (KEY "J", KEY "H", KEY "L", KEY "G").

PIN-OUT CHART table for part number 2098034-1, showing terminal positions and keying options (KEY "H", KEY "L").

TERMINAL HOLE POSITION, CAVITIES WITH A NUMERIC SYMBOL INDICATE CLOSED TERMINAL HOLE POSITIONS, BLANK CAVITIES INDICATE OPEN TERMINAL HOLE POSITIONS

Technical drawing footer containing dimensions, tolerances, material, and customer drawing information.

THIS DRAWING IS UNPUBLISHED. RELEASED FOR PUBLICATION 20
 © COPYRIGHT 20 BY - ALL RIGHTS RESERVED.

REVISIONS				
P.	LTN	DESCRIPTION	DATE	APVD
-		SEE SHEET 1	-	-

PIN-OUT CHART

TERMINAL HOLE POSITION	ASSEMBLY PART NUMBER	PLUG KEYING OPTION
26 27 28	5-1924513-1	KEY "J"
26 27	5-1924513-0	KEY "J"
28	4-1924513-9	KEY "J"
33 34		
33 34		
33	2138987-2	KEY "G"
35 36 37 38 39	2138987-1	KEY "G"
1 2 3 4 5 6 7 8 9 10 11 12 13 14 15 16 17 18 19 20 21 22 23 24 25 26 27 28 29 30 31 32 33 34 35 36 37 38 39 40		

CAVITIES WITH A NUMERIC SYMBOL INDICATE CLOSED TERMINAL HOLE POSITIONS
 BLANK CAVITIES INDICATE OPEN TERMINAL HOLE POSITIONS

THIS DRAWING IS A CONTROLLED DOCUMENT.		DWN M. FORLSKA 19APR2002 CHK M. FORLSKA 19APR2002 APVD A. VALASEK 19APR2002	STE TE Connectivity NAME 40 WAY ARM, PLUG ASSEMBLY WITHOUT SHORTING BARS, CUSTOMER SPEC.
DIMENSIONS: mm 	TOLERANCES UNLESS OTHERWISE SPECIFIED: 0 PLC ± 1 PLC ±0.3 2 PLC ±0.10 3 PLC ± 4 PLC ± ANGLES ±3° FINISH -	PRODUCT SPEC APPLICATION SPEC WEIGHT - CUSTOMER DRAWING	SIZE A1 CAGE CODE 00779 DRAWING NO. C=8-1419157-7 RESTRICTED TO - SCALE 3:1 SHEET 5 OF 5 REV CE